

Technical data sheet



Product features

Fry-top griddle plate 97x48 electric combined counter top 400 V

Model	SAP Code	00011361
--------------	-----------------	----------



- Top type: Combined
- Griddle dimensions [mm x mm]: 970 x 480
- Griddle thickness [mm]: 10.00
- Worktop material: Sandblasted steel
- Container for liquid fat: Yes
- Independent heating zones: Separate control for each heating zone
- Maximum device temperature [°C]: 300
- Surface finish: sandblasted surface without coating
- Removable rim: No

SAP Code	00011361	Power electric [kW]	9.000
Net Width [mm]	991	Loading	400 V / 3N - 50 Hz
Net Depth [mm]	541	Griddle dimensions [mm x mm]	970 x 480
Net Height [mm]	288	Top type	Combined
Net Weight [kg]	73.00		

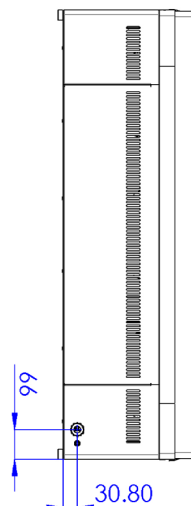
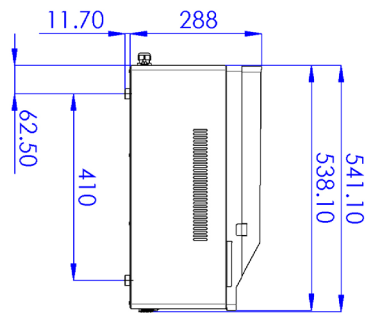
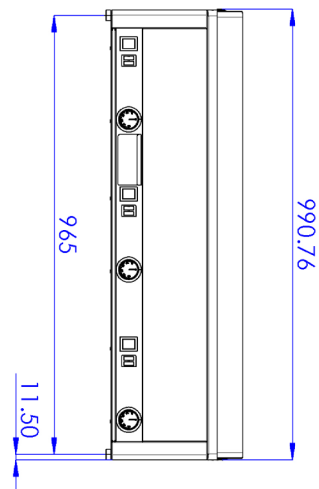
Technical data sheet



Technical drawing

Fry-top griddle plate 97x48 electric combined counter top 400 V

Model	SAP Code	00011361
-------	----------	----------



Technical data sheet



Product benefits

Fry-top griddle plate 97x48 electric combined counter top 400 V

Model

SAP Code

00011361

1

All-stainless design

long life
resistance of AISI 304 stainless steel material
the material does not cut

- savings on service interventions
- easy cleaning and maintenance of equipment

2

Degree of protection of the control elements IPX4

maintenance-free system
resistance to splash water
long life

- savings on service interventions
- easy cleaning and maintenance of equipment

3

Outlet for waste liquids

ensures that oil drips into the socket

- easy maintenance
- easy cleaning

4

High non-removable hem

better hygienic conditions
preventing grease from splashing onto ancillary equipment

- easy maintenance
- easy cleaning

5

Combined plate made of chrome-plated steel

the product bakes less and is easier to clean
a good warming of the meat with a groove

- time-saving in food preparation
- easy preparation of different types of dishes

6

Cooking unit for use on a table or on a base

variable use
the possibility of placement in smaller spaces

- easy handling
- cost savings on substructure

Technical data sheet



Technical parameters

Fry-top griddle plate 97x48 electric combined counter top 400 V

Model	SAP Code	00011361
--------------	-----------------	----------

1. SAP Code:

00011361

2. Net Width [mm]:

991

3. Net Depth [mm]:

541

4. Net Height [mm]:

288

5. Net Weight [kg]:

73.00

6. Gross Width [mm]:

705

7. Gross depth [mm]:

1055

8. Gross Height [mm]:

540

9. Gross Weight [kg]:

80.00

10. Device type:

Electric unit

11. Construction type of device:

Table top

12. Power electric [kW]:

9.000

13. Loading:

400 V / 3N - 50 Hz

14. Protection of controls:

IPX4

15. Material:

AISI 430

16. Indicators:

operation and warm-up

17. Worktop material:

Sandblasted steel

18. Surface finish:

sandblasted surface without coating

19. Maximum device temperature [°C]:

300

20. Minimum device temperature [°C]:

50

21. Adjustable feet:

Yes

22. Griddle dimensions [mm x mm]:

970 x 480

23. Griddle thickness [mm]:

10.00

24. Container for liquid fat:

Yes

25. Independent heating zones:

Separate control for each heating zone

26. Removable rim:

No

27. Uniform heating:

Yes

28. Top type:

Combinated